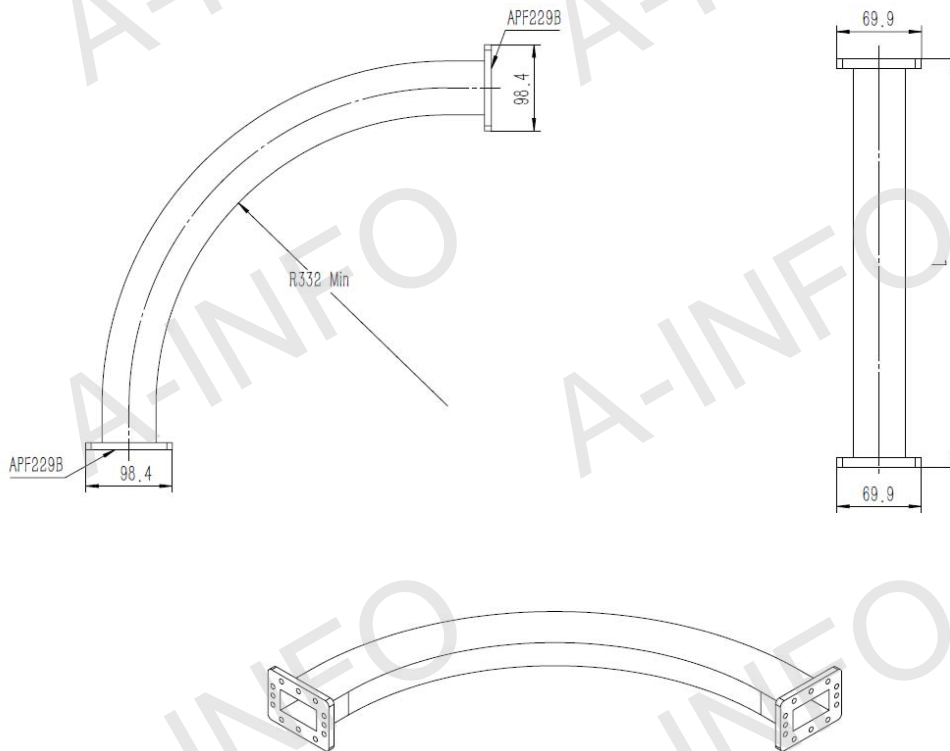


Technical Specification



EIA WR	WR229
Frequency Range(GHz)	3.3 - 4.9
Attenuation(dB/m)	0.18 Max.
VSWR	1.15:1 Max.
Average Power(KW)	8.0
Max. Air Pressure(Mpa)	0.2
Min. E-Bend Radius(mm)	166
Min. H-Bend Radius(mm)	332
Flange	APF229B
Jacket	Silicone Rubber
Operating Temp.(°C)	-55 ~ +85
Material	Cu
Length(mm)	800
Net Weight(Kg)	1.9 Around

Outline Drawing (Size: mm)



AINFO Inc.

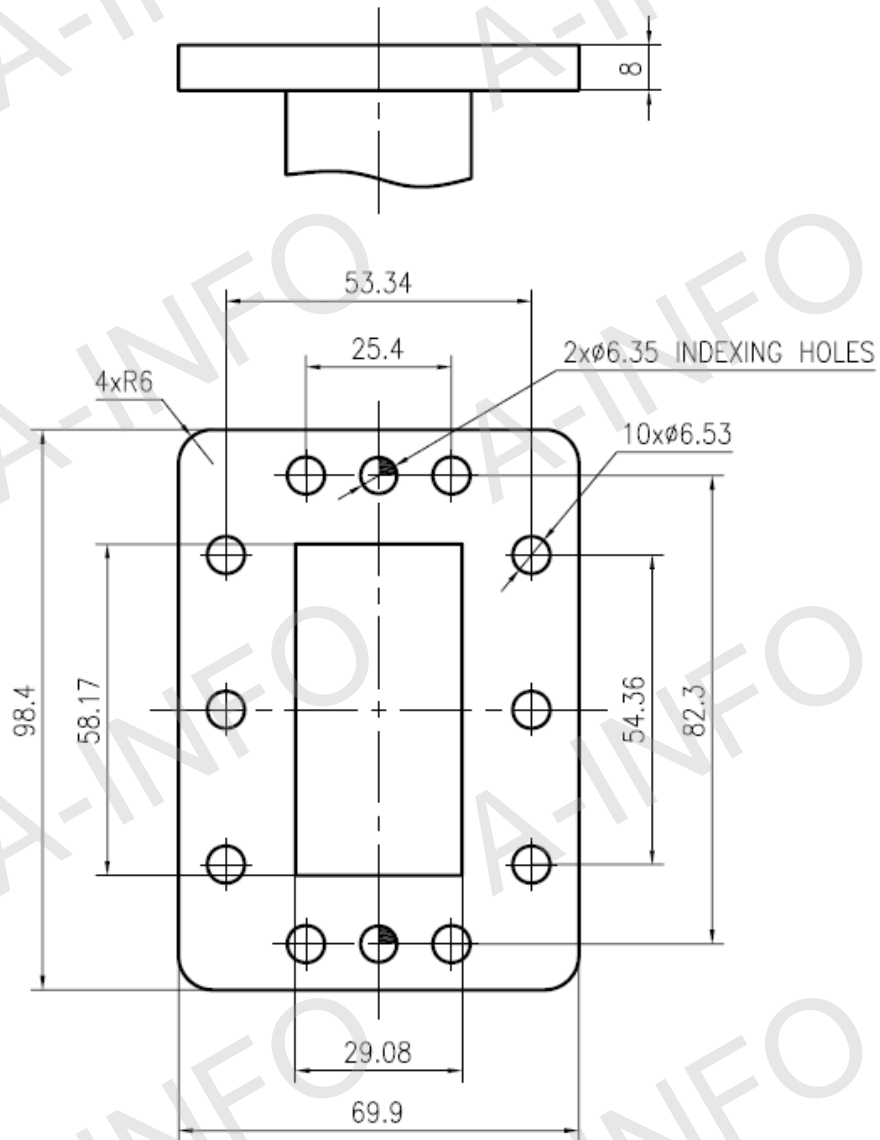
Page 1 of 3

China(Beijing): Tel: (+86) 10-6266-7326,
China(Chengdu): Tel: (+86) 28-8519-2786,
USA: Tel: (+1) 949-639-9688,

(+86) 10-6266-7327 Fax: (+86) 10-6266-7379
(+86) 28-8519-3044 Fax: (+86) 28-8519-3068
(+1) 949-639-9608 Fax: (+1) 949-639-9670

Website: www.ainfoinc.com
Email: sales@ainfoinc.com

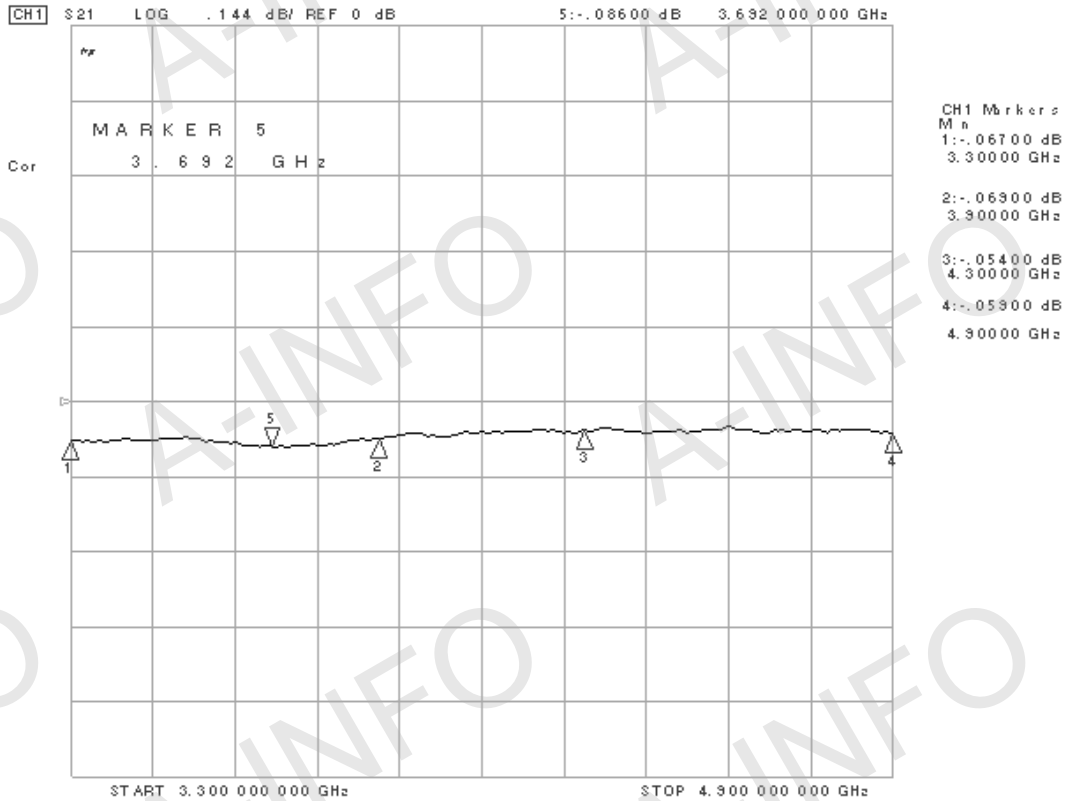
Flange Drawing (Size: mm)



APF229B

Test Results

Attenuation (I.L.: 0.1075dB/m Max.)



VSWR

